



*McLaren 601*

*Schematics*

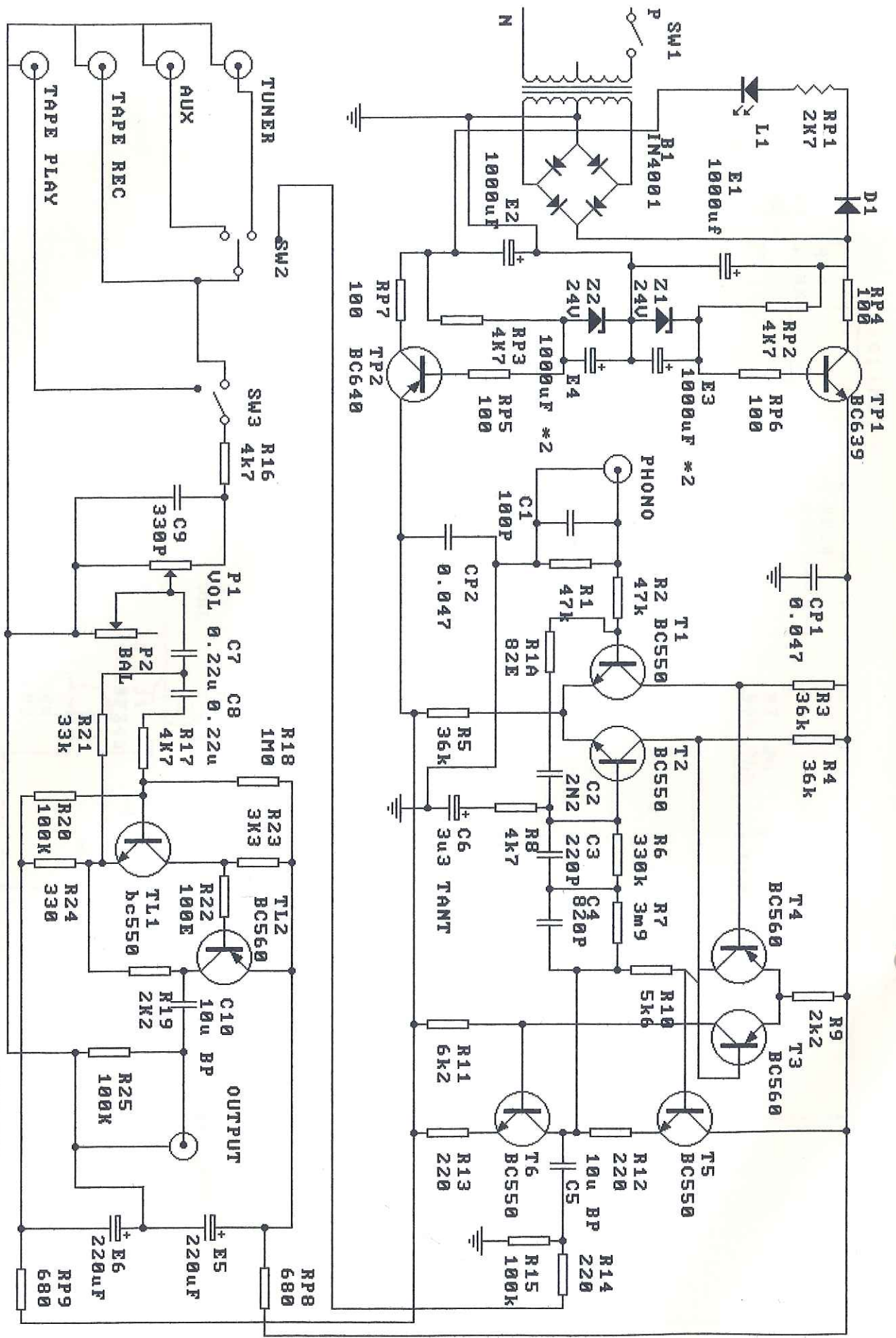
McLaren Audio

A Division of Amplifier Consultants Ltd, P.O. Box 13359, Johnsonville, Wellington, New Zealand.

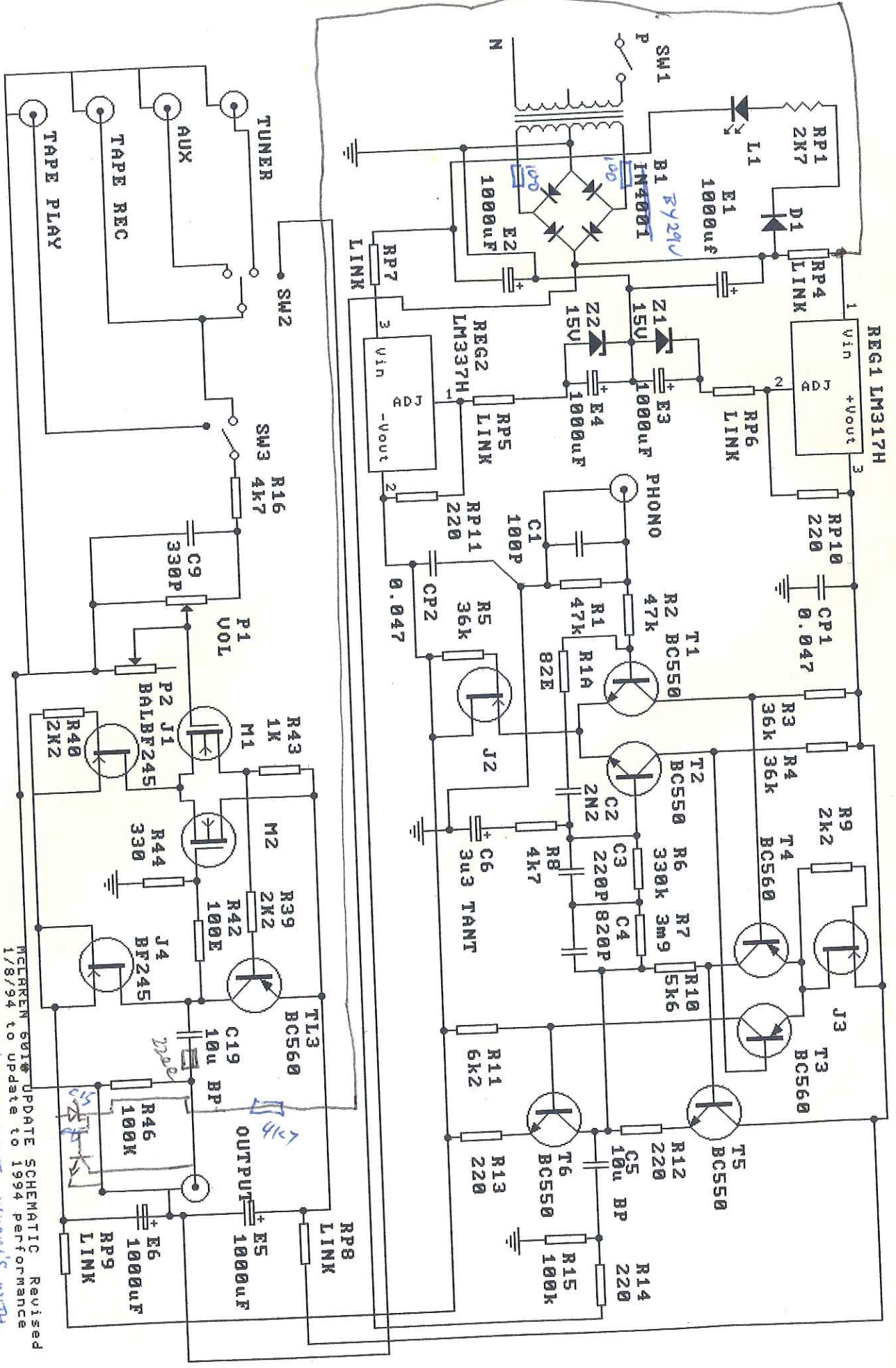
Phone (64) (4) 4786669

Fax (64) (4) 4786669

copyright to Amplifier consultants @1995



MCLAREN 601 SCHEMATIC



MCLAREN 6010 UPDATE SCHEMATIC Revised  
 1/8/94 to update to 1994 performance  
 UPDATE 3/97 REPLACE IN4001'S WITH  
 BY 29 FAST RECTIFIERS. & RP10 & RP11  
 WITH BF245A FETS